



Mobile Boat Hoist



Powerboat

Lift, transfer, launch and retrieve of power boat in port , shipyard.

Tugs & OSVS

To launch or repair, the mobile boat hoist is a good choice.

Sailboat

To serve the sailboat production and launch it to the lake and sea.

Barges

In barges fabrication and repair, a boat hoist can do various job .

Yacht

Professional lifting machine and hauler for yacht to repair yard.

Shipyard

A better lifting equipment with high mobility for ship repair

Advantages & Features

BH model is a boat lifting equipment of MAGICART designed for boat transfer, launch, owns high investment value for shipyard.

Advantages

- Full protection system for safety design
- Qualified & reliable components
- High-efficient working ability
- Simple & minimal maintenance demand
- Easy operation
- Full functional test before delivery
- Warranty for 2 years
- Free spares supplying
- Fast & easy site installation services
- Short delivery
- Open for 3rd party inspection

Features

- Portable wireless controller
- 4 travel motion alarms
- 4 working situation lights
- 3%~10% gradient travel design
- Powered by Diesel Engine
- Danfoss or Rexroth hydraulic system
- 2 or 4 wheel steering
- Pivot steer, Ackermann steer, 90° steer
- Operation station for standby
- Programmable PLC Electronic Control System
- Electronic, stepless speed, infinitely variable controls for hoisting, traverse and travel.
- High strength protective sling belts



Model Selection



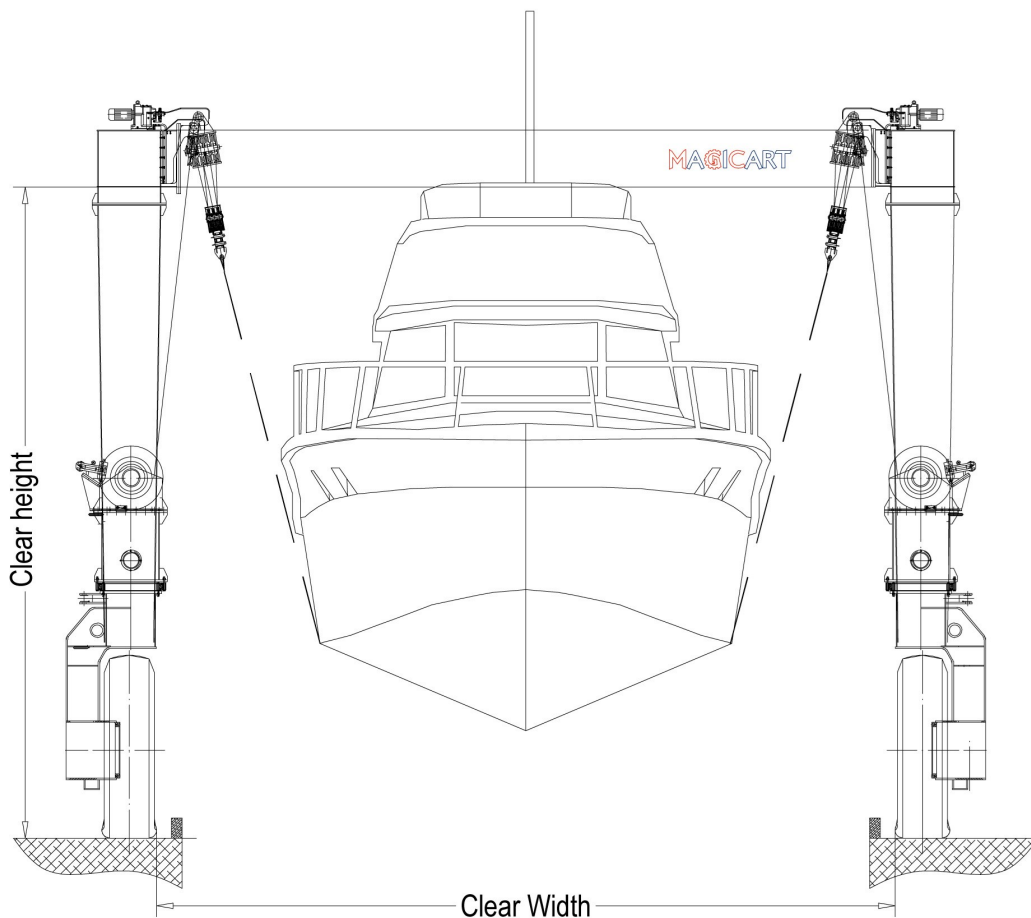
• Color—WB



• Color—RW



• Color—BL



Model	Capacity (tons)	Clear Width (m)	Clear Height (m)
BH 10	10	4.9	5.1
BH 15	15	5.6	5.8
BH 25	25	5.6	5.8
BH 35	35	5.6	5.8
BH 50	50	6.4	6.6
BH 60	60	6.6	6.8
BH 75	75	6.8	7.0
BH 100	100	8.4	8.1
BH 150	150	9.0	9.4
BH 200	200	9.6	10.0
BH 250	250	9.6	10.0
BH 300	300	10.2	10.6
BH 400	400	11.0	11.4
BH 500	500	12.0	12.4
BH 600	600	13.0	13.4
BH 700	800	14.0	14.4
BH 800	900	15.0	15.4
BH 1000	1000	17.0	17.4
	CUSTOMISED	CUSTOMISED	CUSTOMISED